

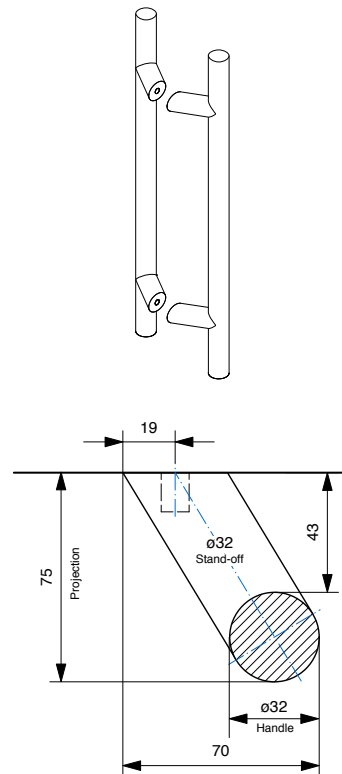


DDA Compliant - 316 Marine Grade Stainless Steel

CODE	SECTION	PROJECTION	LENGTH	CTC
BAH-205/A	Dia 32	75	300	100
BAH-205/B	Dia 32	75	400	200
BAH-205/C	Dia 32	75	500	300
BAH-205/D	Dia 32	75	600	400
BAH-205/E	Dia 32	75	700	500
BAH-205/F	Dia 32	75	800	600
BAH-205/G	Dia 32	75	900	700
BAH-205/H	Dia 32	75	1000	800
BAH-205/I	Dia 32	75	1100	900
BAH-205/J	Dia 32	75	1200	1000
BAH-205/K	Dia 32	75	1300	1100
BAH-205/L	Dia 32	75	1400	1200
BAH-205/M	Dia 32	75	1500	1300
BAH-205/N	Dia 32	75	1600	1400
BAH-205/O	Dia 32	75	1700	1500
BAH-205/P	Dia 32	75	1800	1600
BAH-205/Q	Dia 32	75	1900	1700
BAH-205/R	Dia 32	75	2000	1800
BAH-205/S	Dia 32	75	2100	1900
BAH-205/T	Dia 32	75	2200	2000
BAH-205/U	Dia 32	75	2300	2100
BAH-205/V	Dia 32	75	2400	2200

- Measurements in **bold** indicate handles that require intermediate fixing
- Special sizes available upon request

FINISHES	
Standard:	SSS/PSS
Options:	Powdercoat Dulux
Electroplate:	SBN ORB BN CO

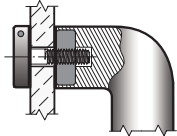


How to specify

	PRODUCT CODE	DIA	FINISH	FIXING	DOOR TYPE
Example:	BAH-205/A	32mm	SSS	B	GD

D = DISK FIX

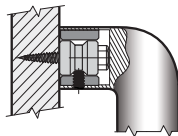
Disk fixed - **Single**



For Solid or Tube Handles

C = CONCEALED FIX

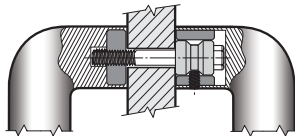
Coach Bolt fixed - **Single**



For Solid or Tube Handles

B = BACK to BACK FIX

Back to Back fixed - **Pair**



For Solid or Tube Handles

PLEASE SPECIFY THE DOOR TYPE

GD: Glass

TM: Timber

AL: Aluminium